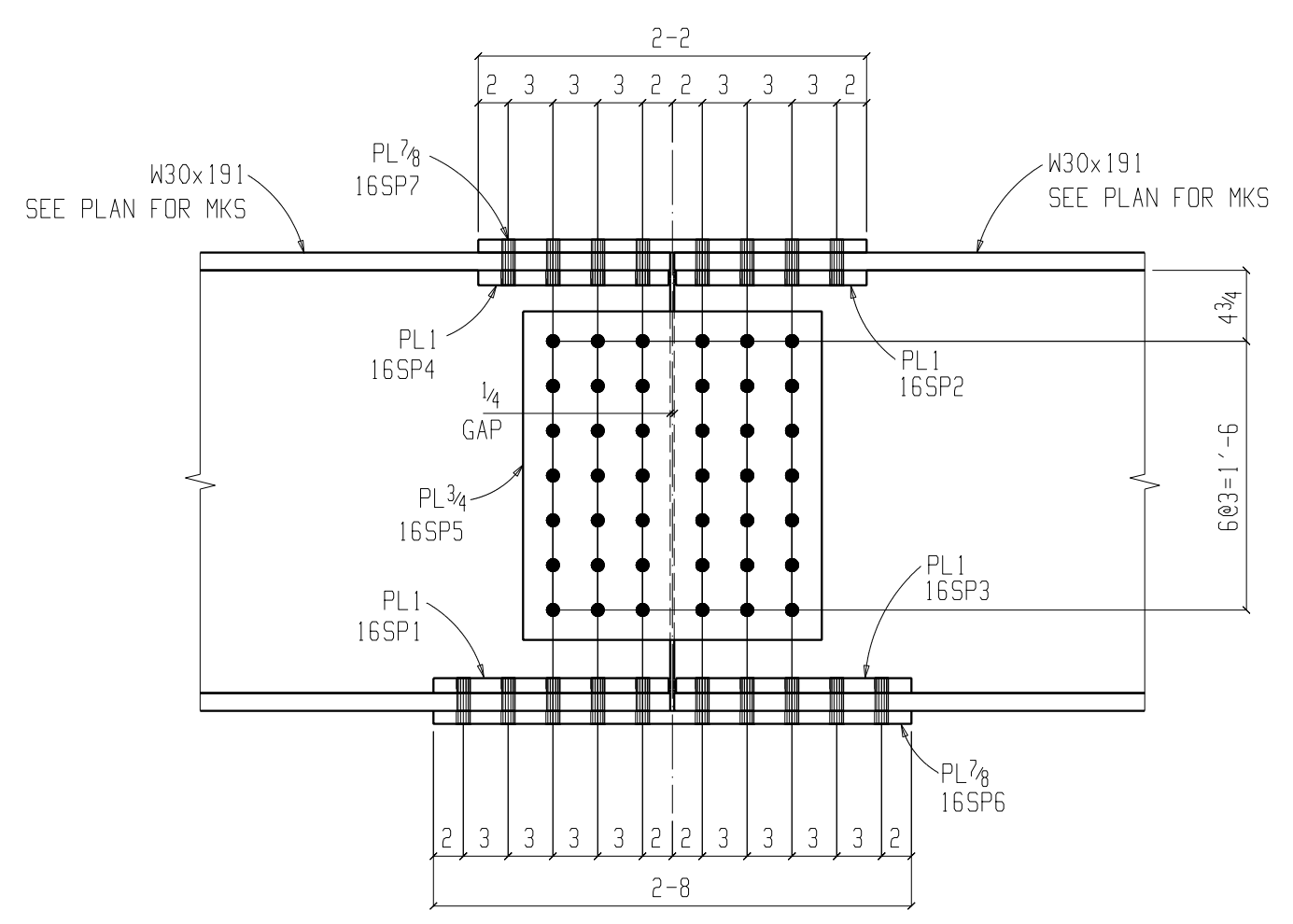
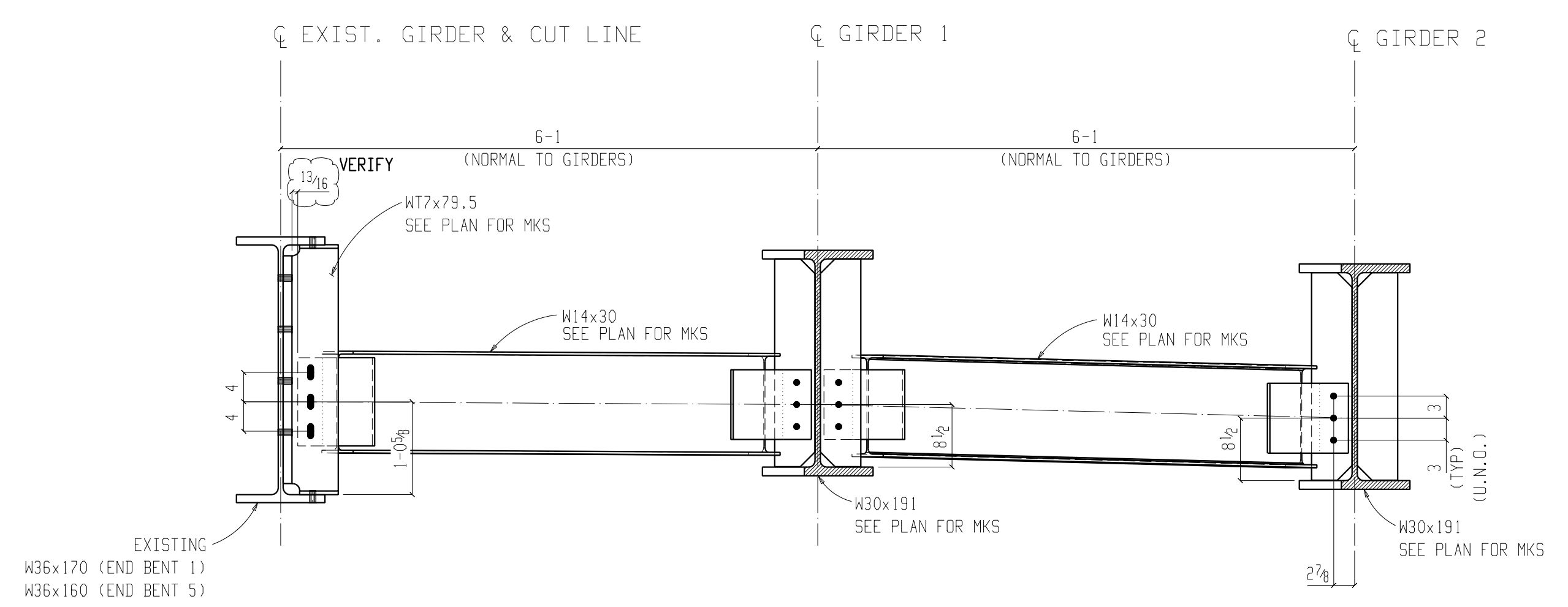


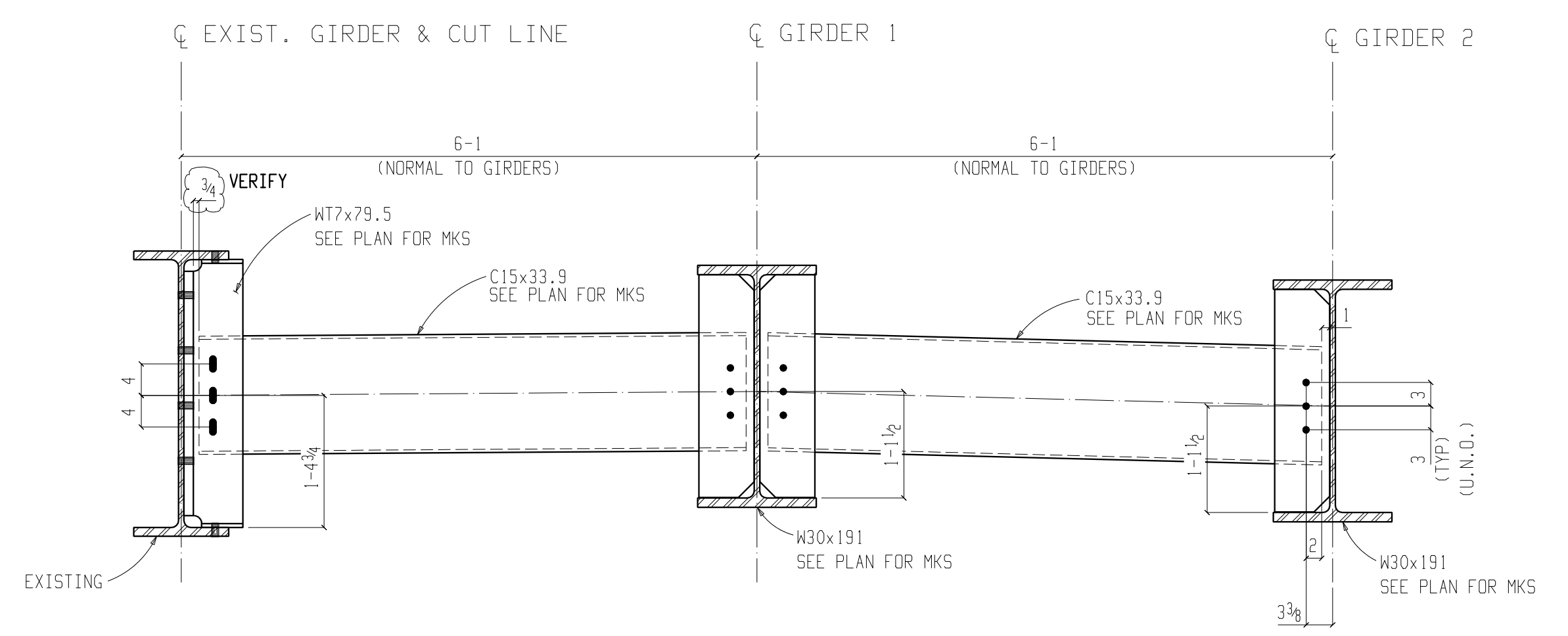
1 SECTION
REF.: A'-A'/B3-25



4 SECTION
REF.: WEB SPLICE/B3-24



2 SECTION
REF.: B'-B'/B3-25



3 SECTION
REF.: C'-C'/B3-25

NOTE(S):
1. CONTRACTOR TO FIELD VERIFY ALL DIMENSIONS AND ELEVATIONS PRIOR TO FABRICATION AND INSTALLATION.

MATERIALS:	AS NOTED	WELDING:	AVS D1.5 U.N.O.
HOLES:	1 9/16" U.N.O.	ELECTRODES:	E70XX
RELEASED TO FIELD	.		
RELEASED FOR FABRICATION	.		
APPROVAL RECEIVED	.		
ISSUED FOR APPROVAL	VP	01-27-11	
CHECKED	VP	01-27-11	
DRAWING	PC	01-27-11	A
STATUS	BY	DATE	REV.
			FOR APPROVAL
			DESCRIPTION
			PC
			VP
			01-27-11
			DATE

CUSTOMER:	
JOB SITE:	MIAMI/DADE COUNTIES, FLORIDA



CONTRACT No.: 5496
DRAWING No.: E2
REV. A