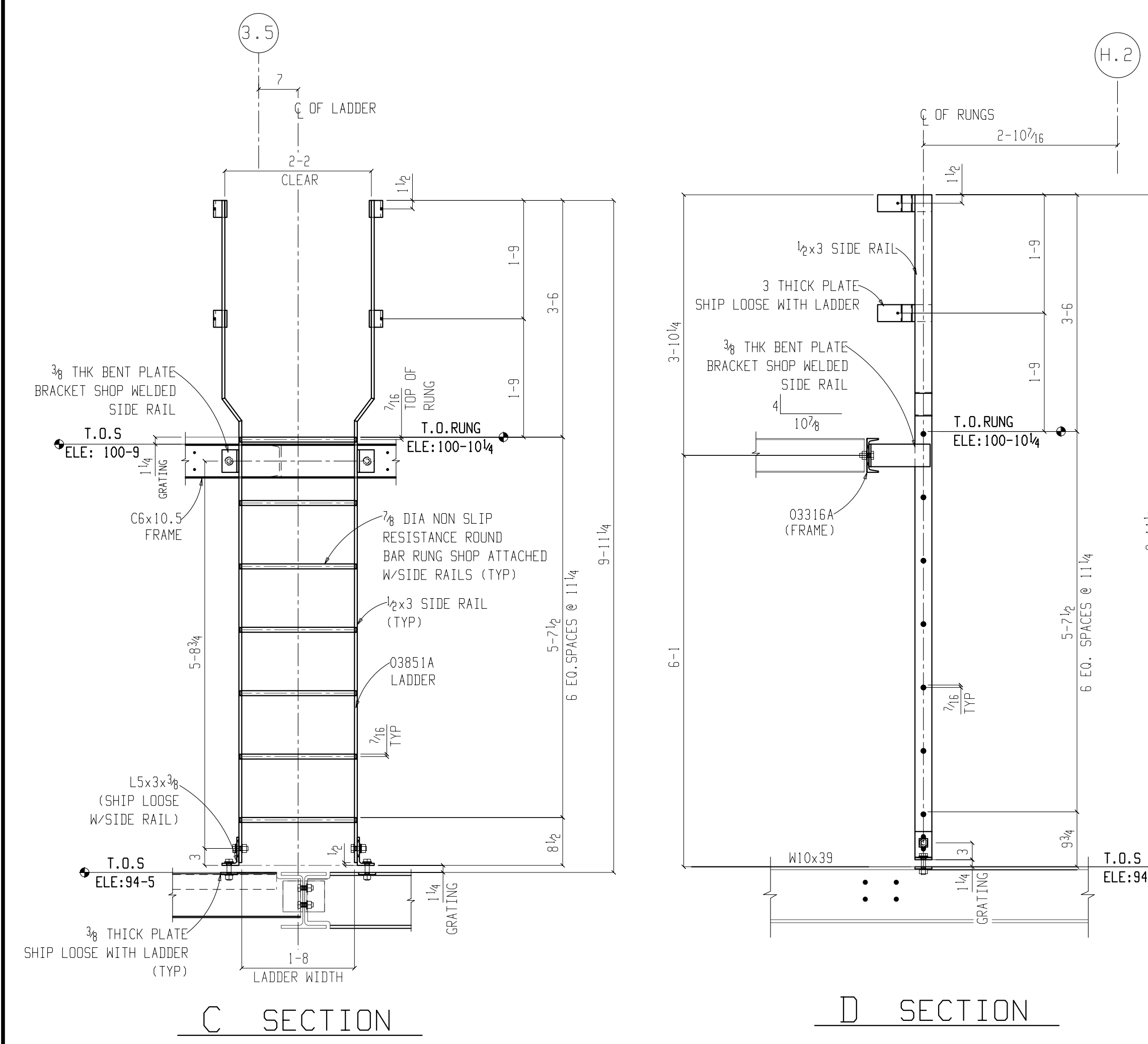


NOTE(S):  
 1) CONTRACTOR TO FIELD VERIFY ALL DIMENSIONS AND ELEVATIONS PRIOR TO FABRICATION AND INSTALLATION.  
 2) CONTRACTOR AND/OR E.O.R. TO PROVIDE ALL HANDRAIL POST LOCATIONS.  
 3) E.O.R. TO VERIFY ALL CONNECTIONS.  
 4) ALL VERIFIES WILL BE ASSUMED CORRECT AS SHOWN UNLESS NOTED OTHERWISE BY APPROVER.



ALL LADDERS SHOWN IN THIS SHEET ARE ALUMINIUM (U.N.O)

SEQUENCE-03

ALL ERRORS IN FABRICATION MUST BE REPORTED TO THE FABRICATOR WITHIN 24 HOURS FOR DECISION AS TO THE BEST METHOD OF CORRECTION. BACK CHARGES WILL NOT BE ACCEPTED UNLESS OUR CONSENT IS GIVEN IN ADVANCE IN WRITING.

REVISIONS				JOB	
REV	DATE	BY	DESCRIPTION	LOCATION	CUSTOMER
A	09-21-15	VPM	ISSUED FOR APPROVAL		
B	10-16-15	VPM	ISSUED FOR RE-APPROVAL		

TITLE	LADDER ELEVATION VIEW AND SECTION
DRAWN	VPM DATE 09-21-15 CHK'D VPG DATE 09-21-15
JOB NO:	15-32
DWG NO:	E306