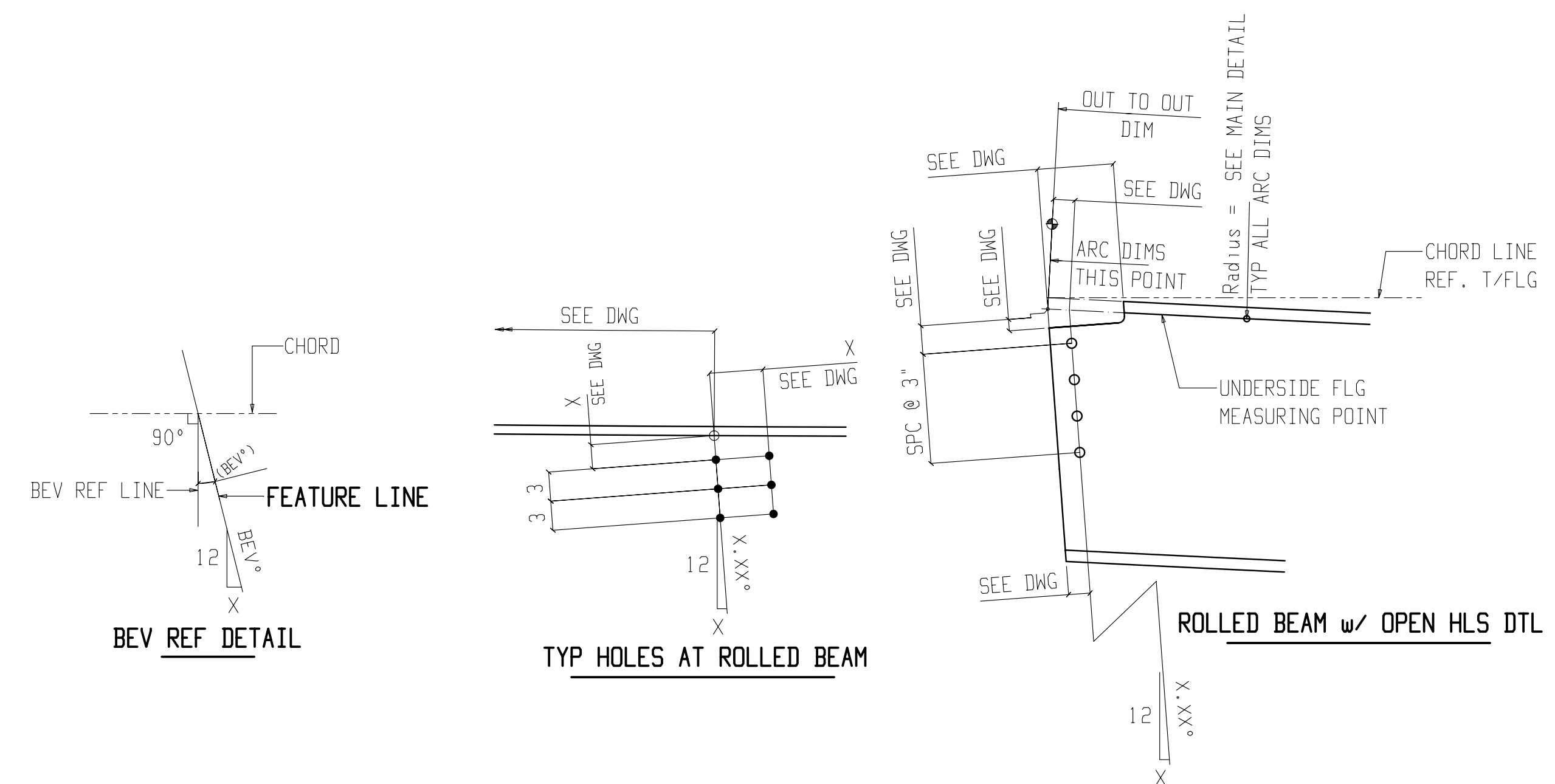


ONE BEAM 189B1-NP

W	27 5/16 x 9 1/16	1521-22
F	10 1/8 x 1 5/16	
K	1 13/16 x 1 3/16	



QTY.	PRINTS FOR	DATE

BILL OF MATERIAL									
PC MARK	MINOR MARK	QTY. TOTAL	DESCRIPTION	LENGTH FEET	INCHES	STEEL GRADE	REMARKS	WEIGHT EA.	WEIGHT TOTAL
189B1		1	ONE BEAM					5396	5396
	189B1	1	W27x114	47	0 3/8	A992		5364	5364
	p1091	1	PL 5/8x5 1/16	1	8 1/2	A36		22	22
	p615	4	PL 1/4x6	0	6	A36		3	10
			FIELD BOLTS						
		7	TC 1 Dia A325N	0	2 3/4		+1HD WASH		
		6	TC 1 Dia A490N	0	2 1/2		+1HD WASH		

BILL OF MATERIAL									
PC MARK	MINOR MARK	QTY. TOTAL	DESCRIPTION	LENGTH FEET	INCHES	STEEL GRADE	REMARKS	WEIGHT EA.	WEIGHT TOTAL

REV.	DATE	DESCRIPTION
1	12-23-15	RELEASE FOR FABRICATION
0	08-24-15	FOR APPROVAL

HOLES U.N.: 13/16	SHOP BOLTS U.N.: 3/4 A325N	FIELD BOLTS U.N.: 3/4 A325N	WELDS U.N.: E70XX LO HYD
PROJECT:			DATE: 08-01-15
DESCRIPTION: BEAMS			DRAWN BY: TL
ARCH.: Hellmuth, Obata, & Kassabaum, INC.	ENG.: Walter P Moore & Associates, Inc	JOB NO.: 1521	
CUSTOMER: SKANSKA USA BUILDING	PROJECT MGR:	SHT. NO.: 189	REV.: 1